

CS70: Lecture 27.

Coupons; Independent Random Variables

1. Time to Collect Coupons
2. Review: Independence of Events
3. Independent RVs
4. Mutually independent RVs

Coupon Collectors Problem.

Experiment: Get coupons at random from n until collect all n coupons.

Outcomes: {123145..., 56765...}

Random Variable: X - length of outcome.

Before: $Pr[X \geq n \ln 2n] \leq \frac{1}{2}$.

Today: $E[X]$?

Time to collect coupons

X -time to get n coupons.

X_1 - time to get first coupon. Note: $X_1 = 1$. $E(X_1) = 1$.

X_2 - time to get second coupon after getting first.

$Pr[\text{"get second coupon"} | \text{"got milk first coupon"}] = \frac{n-1}{n}$

$E[X_2]$? **Geometric !!!** $\implies E[X_2] = \frac{1}{p} = \frac{1}{\frac{n-1}{n}} = \frac{n}{n-1}$.

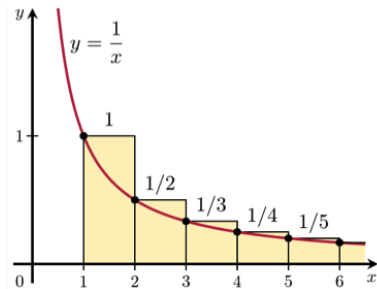
$Pr[\text{"getting } i\text{th coupon"} | \text{"got } i-1 \text{rst coupons"}] = \frac{n-(i-1)}{n} = \frac{n-i+1}{n}$

$E[X_i] = \frac{1}{p} = \frac{n}{n-i+1}, i = 1, 2, \dots, n$.

$$\begin{aligned} E[X] &= E[X_1] + \dots + E[X_n] = \frac{n}{n} + \frac{n}{n-1} + \frac{n}{n-2} + \dots + \frac{n}{1} \\ &= n\left(1 + \frac{1}{2} + \dots + \frac{1}{n}\right) =: nH(n) \approx n(\ln n + \gamma) \end{aligned}$$

Review: Harmonic sum

$$H(n) = 1 + \frac{1}{2} + \cdots + \frac{1}{n} \approx \int_1^n \frac{1}{x} dx = \ln(n).$$

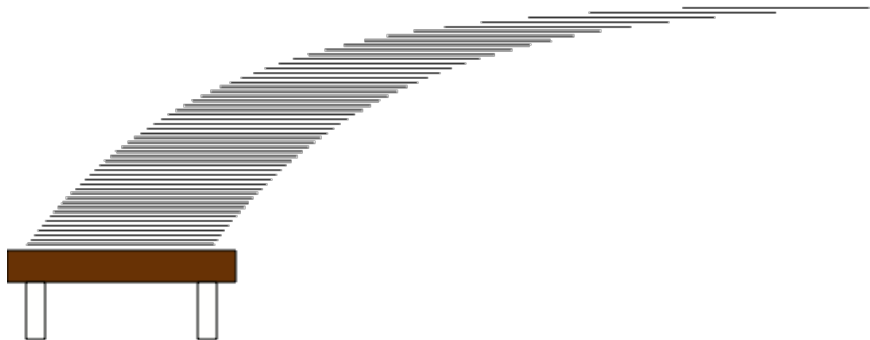


A good approximation is

$$H(n) \approx \ln(n) + \gamma \text{ where } \gamma \approx 0.58 \text{ (Euler-Mascheroni constant).}$$

Harmonic sum: Paradox

Consider this stack of cards (no glue!):



If each card has length 2, the stack can extend $H(n)$ to the right of the table. As n increases, you can go as far as you want!

Paradox

par·a·dox

/ˈperəˌdäks/

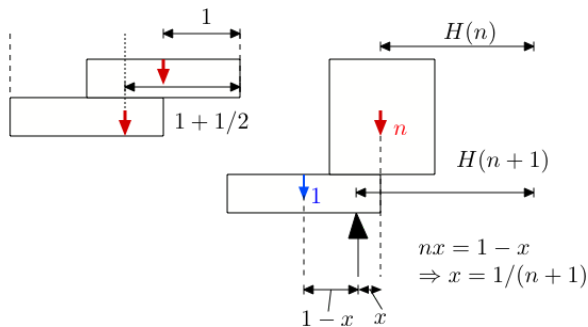
noun

a statement or proposition that, despite sound (or apparently sound) reasoning from acceptable premises, leads to a conclusion that seems senseless, logically unacceptable, or self-contradictory.

"a potentially serious conflict between quantum mechanics and the general theory of relativity known as the information paradox"

- a seemingly absurd or self-contradictory statement or proposition that when investigated or explained may prove to be well founded or true.
"in a paradox, he has discovered that stepping back from his job has increased the rewards he gleans from it"
synonyms: **contradiction**, contradiction in terms, **self-contradiction**, **inconsistency**, **incongruity**; **More**
- a situation, person, or thing that combines contradictory features or qualities.
"the mingling of deciduous trees with elements of desert flora forms a fascinating ecological paradox"

Stacking



The cards have width 2. Induction shows that the center of gravity after n cards is $H(n)$ away from the right-most edge.

Review: Independence of Events

- ▶ Events A, B are independent if $Pr[A \cap B] = Pr[A]Pr[B]$.
- ▶ Events A, B, C are mutually independent if
 A, B are independent, A, C are independent, B, C are independent
and $Pr[A \cap B \cap C] = Pr[A]Pr[B]Pr[C]$.
- ▶ Events $\{A_n, n \geq 0\}$ are mutually independent if
- ▶ Example: $X, Y \in \{0, 1\}$ two fair coin flips $\Rightarrow X, Y, X \oplus Y$ are pairwise independent but not mutually independent.
- ▶ Example: $X, Y, Z \in \{0, 1\}$ three fair coin flips are mutually independent.

Independent Random Variables.

Definition: Independence

The random variables X and Y are **independent** if and only if

$$Pr[Y = b|X = a] = Pr[Y = b], \text{ for all } a \text{ and } b.$$

Fact:

X, Y are independent if and only if

$$Pr[X = a, Y = b] = Pr[X = a]Pr[Y = b], \text{ for all } a \text{ and } b.$$

Obvious.

Independence: Examples

Example 1

Roll two die. X, Y = number of pips on the two dice. X, Y are independent.

Indeed: $Pr[X = a, Y = b] = \frac{1}{36}, Pr[X = a] = Pr[Y = b] = \frac{1}{6}$.

Example 2

Roll two die. X = total number of pips, Y = number of pips on die 1 minus number on die 2. X and Y are not independent.

Indeed: $Pr[X = 12, Y = 1] = 0 \neq Pr[X = 12]Pr[Y = 1] > 0$.

Example 3

Flip a fair coin five times, X = number of H s in first three flips, Y = number of H s in last two flips. X and Y are independent.

Indeed:

$$Pr[X = a, Y = b] = \binom{3}{a} \binom{2}{b} 2^{-5} = \binom{3}{a} 2^{-3} \times \binom{2}{b} 2^{-2} = Pr[X = a]Pr[Y = b].$$

A useful observation about independence

Theorem

X and Y are independent if and only if

$$\Pr[X \in A, Y \in B] = \Pr[X \in A]\Pr[Y \in B] \text{ for all } A, B \subset \mathfrak{X}.$$

Proof:

If (\Leftarrow): Choose $A = \{a\}$ and $B = \{b\}$.

This shows that $\Pr[X = a, Y = b] = \Pr[X = a]\Pr[Y = b]$.

Only if (\Rightarrow):

$$\begin{aligned} \Pr[X \in A, Y \in B] &= \sum_{a \in A} \sum_{b \in B} \Pr[X = a, Y = b] = \sum_{a \in A} \sum_{b \in B} \Pr[X = a]\Pr[Y = b] \\ &= \sum_{a \in A} \left[\sum_{b \in B} \Pr[X = a]\Pr[Y = b] \right] = \sum_{a \in A} \Pr[X = a] \left[\sum_{b \in B} \Pr[Y = b] \right] \\ &= \sum_{a \in A} \Pr[X = a]\Pr[Y \in B] = \Pr[X \in A]\Pr[Y \in B]. \end{aligned}$$



Functions of Independent random Variables

Theorem Functions of independent RVs are independent
Let X, Y be independent RV. Then

$f(X)$ and $g(Y)$ are independent, for all $f(\cdot), g(\cdot)$.

Proof:

Recall the definition of inverse image:

$$h(z) \in C \Leftrightarrow z \in h^{-1}(C) := \{z \mid h(z) \in C\}. \quad (1)$$

Now,

$$\begin{aligned} & Pr[f(X) \in A, g(Y) \in B] \\ &= Pr[X \in f^{-1}(A), Y \in g^{-1}(B)], \text{ by (??)} \\ &= Pr[X \in f^{-1}(A)]Pr[Y \in g^{-1}(B)], \text{ since } X, Y \text{ ind.} \\ &= Pr[f(X) \in A]Pr[g(Y) \in B], \text{ by (??)}. \end{aligned}$$



Mean of product of independent RV

Theorem

Let X, Y be independent RVs. Then

$$E[XY] = E[X]E[Y].$$

Proof:

Recall that $E[g(X, Y)] = \sum_{x,y} g(x, y)Pr[X = x, Y = y]$. Hence,

$$\begin{aligned} E[XY] &= \sum_{x,y} xyPr[X = x, Y = y] = \sum_{x,y} xyPr[X = x]Pr[Y = y], \text{ by ind.} \\ &= \sum_x [\sum_y xyPr[X = x]Pr[Y = y]] = \sum_x [xPr[X = x](\sum_y yPr[Y = y])] \\ &= \sum_x [xPr[X = x]E[Y]] = E[X]E[Y]. \end{aligned}$$



Examples

(1) Assume that X, Y, Z are (pairwise) independent, with $E[X] = E[Y] = E[Z] = 0$ and $E[X^2] = E[Y^2] = E[Z^2] = 1$.

Then

$$\begin{aligned} E[(X + 2Y + 3Z)^2] &= E[X^2 + 4Y^2 + 9Z^2 + 4XY + 12YZ + 6XZ] \\ &= 1 + 4 + 9 + 4 \times 0 + 12 \times 0 + 6 \times 0 \\ &= 14. \end{aligned}$$

(2) Let X, Y be independent and $U[1, 2, \dots, n]$. Then

$$\begin{aligned} E[(X - Y)^2] &= E[X^2 + Y^2 - 2XY] = 2E[X^2] - 2E[X]^2 \\ &= \frac{1 + 3n + 2n^2}{3} - \frac{(n+1)^2}{2}. \end{aligned}$$

Mutually Independent Random Variables

Definition

X, Y, Z are mutually independent if

$$\Pr[X = x, Y = y, Z = z] = \Pr[X = x]\Pr[Y = y]\Pr[Z = z], \text{ for all } x, y, z.$$

Theorem

The events A, B, C, \dots are pairwise (resp. mutually) independent iff the random variables $1_A, 1_B, 1_C, \dots$ are pairwise (resp. mutually) independent.

Proof:

$$\Pr[1_A = 1, 1_B = 1, 1_C = 1] = \Pr[A \cap B \cap C], \dots$$



Functions of pairwise independent RVs

If X, Y, Z are pairwise independent, but not mutually independent, it may be that

$f(X)$ and $g(Y, Z)$ are not independent.

Example 1: Flip two fair coins,

$X = 1_{\{\text{coin 1 is } H\}}$, $Y = 1_{\{\text{coin 2 is } H\}}$, $Z = X \oplus Y$. Then, X, Y, Z are pairwise independent. Let $g(Y, Z) = Y \oplus Z$. Then $g(Y, Z) = X$ is not independent of X .

Example 2: Let A, B, C be pairwise but not mutually independent in a way that A and $B \cap C$ are not independent. Let

$X = 1_A, Y = 1_B, Z = 1_C$. Choose $f(X) = X, g(Y, Z) = YZ$.

A Little Lemma

Let X_1, X_2, \dots, X_{11} be mutually independent random variables. Define $Y_1 = (X_1, \dots, X_4)$, $Y_2 = (X_5, \dots, X_8)$, $Y_3 = (X_9, \dots, X_{11})$. Then

$$\Pr[Y_1 \in B_1, Y_2 \in B_2, Y_3 \in B_3] = \Pr[Y_1 \in B_1] \Pr[Y_2 \in B_2] \Pr[Y_3 \in B_3].$$

Proof:

$$\begin{aligned} & \Pr[Y_1 \in B_1, Y_2 \in B_2, Y_3 \in B_3] \\ &= \sum_{y_1 \in B_1, y_2 \in B_2, y_3 \in B_3} \Pr[Y_1 = y_1, Y_2 = y_2, Y_3 = y_3] \\ &= \sum_{y_1 \in B_1, y_2 \in B_2, y_3 \in B_3} \Pr[Y_1 = y_1] \Pr[Y_2 = y_2] \Pr[Y_3 = y_3] \\ &= \left\{ \sum_{y_1 \in B_1} \Pr[Y_1 = y_1] \right\} \left\{ \sum_{y_2 \in B_2} \Pr[Y_2 = y_2] \right\} \left\{ \sum_{y_3 \in B_3} \Pr[Y_3 = y_3] \right\} \\ &= \Pr[Y_1 \in B_1] \Pr[Y_2 \in B_2] \Pr[Y_3 \in B_3]. \quad \square \end{aligned}$$

Functions of mutually independent RVs

One has the following result:

Theorem

Functions of disjoint collections of mutually independent random variables are mutually independent.

Example:

Let $\{X_n, n \geq 1\}$ be mutually independent. Then,

$Y_1 := X_1 X_2 (X_3 + X_4)^2$, $Y_2 := \max\{X_5, X_6\} - \min\{X_7, X_8\}$, $Y_3 := X_9 \cos(X_{10} + X_{11})$ are mutually independent.

Proof:

Let $B_1 := \{(x_1, x_2, x_3, x_4) \mid x_1 x_2 (x_3 + x_4)^2 \in A_1\}$. Similarly for B_2, B_3 .
Then

$$\begin{aligned} & Pr[Y_1 \in A_1, Y_2 \in A_2, Y_3 \in A_3] \\ &= Pr[(X_1, \dots, X_4) \in B_1, (X_5, \dots, X_8) \in B_2, (X_9, \dots, X_{11}) \in B_3] \\ &= Pr[(X_1, \dots, X_4) \in B_1] Pr[(X_5, \dots, X_8) \in B_2] Pr[(X_9, \dots, X_{11}) \in B_3] \\ &\quad \text{by little lemma} \\ &= Pr[Y_1 \in A_1] Pr[Y_2 \in A_2] Pr[Y_3 \in A_3] \quad \square \end{aligned}$$

Operations on Mutually Independent Events

Theorem

Operations on disjoint collections of mutually independent events produce mutually independent events.

For instance, if A, B, C, D, E are mutually independent, then $A \Delta B, C \setminus D, \bar{E}$ are mutually independent.

Proof:

$1_{A \Delta B} = f(1_A, 1_B)$ where

$$f(0,0) = 0, f(1,0) = 1, f(0,1) = 1, f(1,1) = 0$$

$1_{C \setminus D} = g(1_C, 1_D)$ where

$$g(0,0) = 0, g(1,0) = 1, g(0,1) = 0, g(1,1) = 0$$

$1_{\bar{E}} = h(1_E)$ where

$$h(0) = 1 \text{ and } h(1) = 0.$$

Hence, $1_{A \Delta B}, 1_{C \setminus D}, 1_{\bar{E}}$ are functions of mutually independent RVs. Thus, those RVs are mutually independent. Consequently, the events of which they are indicators are mutually independent. \square

Product of mutually independent RVs

Theorem

Let X_1, \dots, X_n be mutually independent RVs. Then,

$$E[X_1 X_2 \cdots X_n] = E[X_1]E[X_2] \cdots E[X_n].$$

Proof:

Assume that the result is true for n . (It is true for $n = 2$.)

Then, with $Y = X_1 \cdots X_n$, one has

$$\begin{aligned} E[X_1 \cdots X_n X_{n+1}] &= E[YX_{n+1}], \\ &= E[Y]E[X_{n+1}], \\ &\quad \text{because } Y, X_{n+1} \text{ are independent} \\ &= E[X_1] \cdots E[X_n]E[X_{n+1}]. \end{aligned}$$



Summary.

Coupons; Independent Random Variables

- ▶ Expected time to collect n coupons is $nH(n) \approx n(\ln n + \gamma)$
- ▶ X, Y independent $\Leftrightarrow Pr[X \in A, Y \in B] = Pr[X \in A]Pr[Y \in B]$
- ▶ Then, $f(X), g(Y)$ are independent
and $E[XY] = E[X]E[Y]$
- ▶ Mutual independence
- ▶ Functions of mutually independent RVs are mutually independent.